

	1
	1
	
1-1	
1-1	
1-	
1-	
1-	
1-	11
1-	1
1-	1
1-	1
1-	1
1-10	1
1-11	
1-1	
1-1	
1-1	
1-1	
1-1	0
1-1	
1-1	
	
-1	
-1	
-	0
-	1
-	
-	
-	
-	
-	1
-10	
-11	
-1	
-1	
-1	1
-1	
-1	
-1	
-1	
	0

[2014] 55

- 1.
- 2.
- 3.
- 4.

--

--

		1-1	1	1-1	1-1
		-1	1	-1	-1
		-1	1	-1	-1

1

I/O

C

/

Kei I C

2

1

/ /

Kei I C

MCU

/ /

2

6S (

)

/

3

120

4

20		10	0	
				1
				2
		10		3
				4
			5	

10

5

30

1



2

PCB

E

3

1

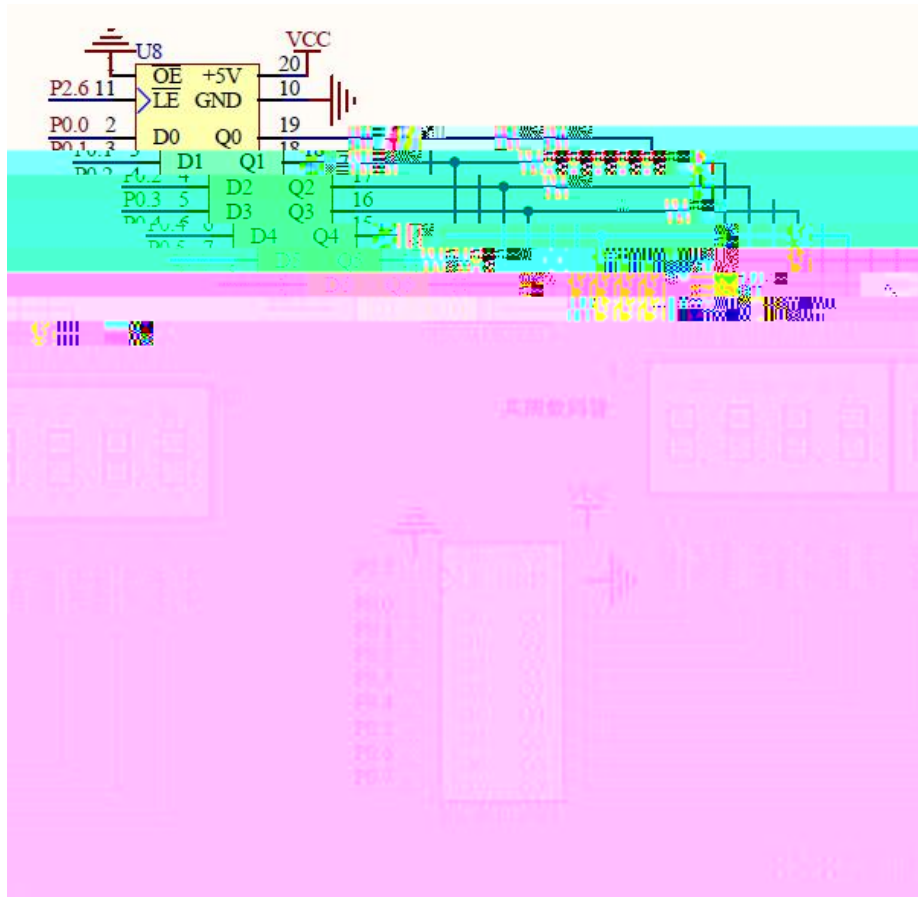


2

PCB
E

3

1



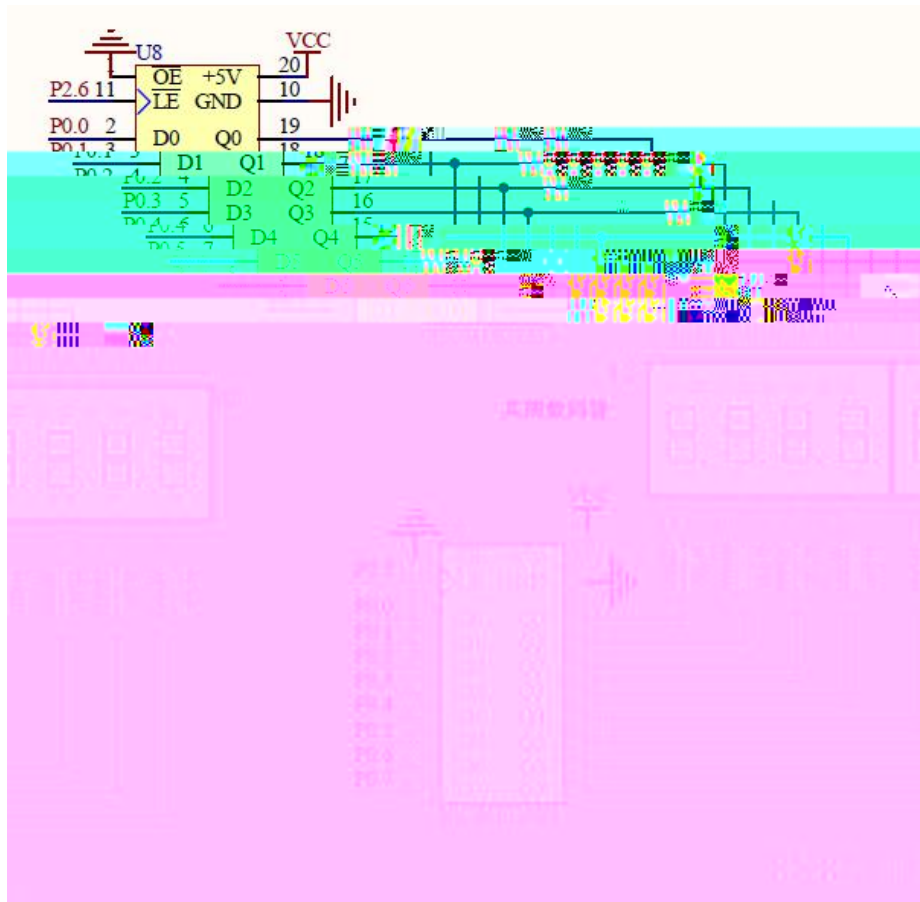
2

PCB

E

3

1



2

PCB

E

3

1

K1 8



2

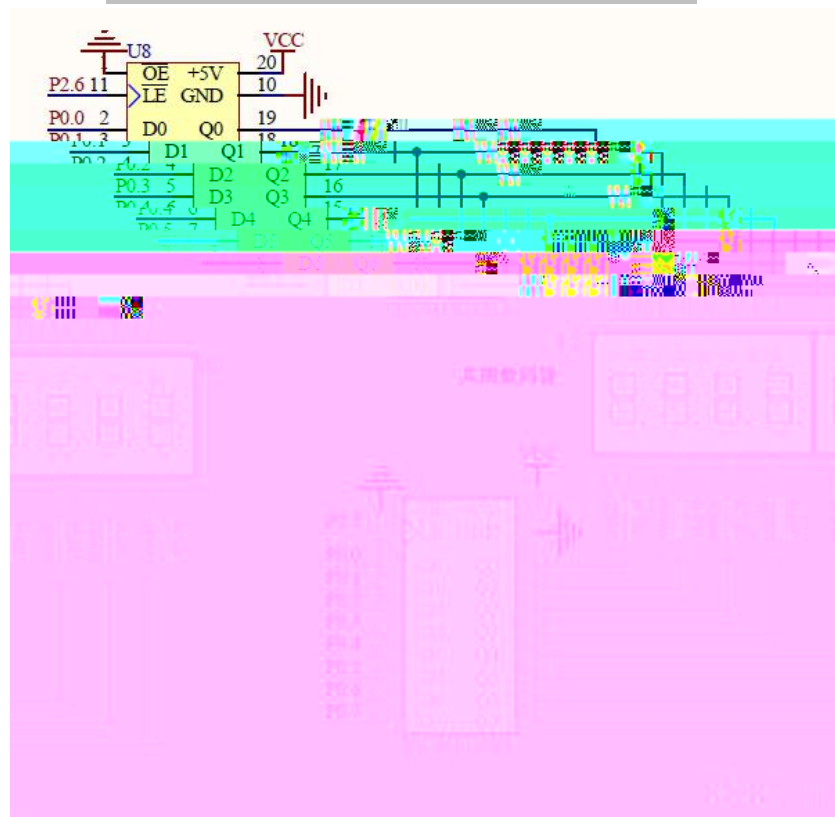
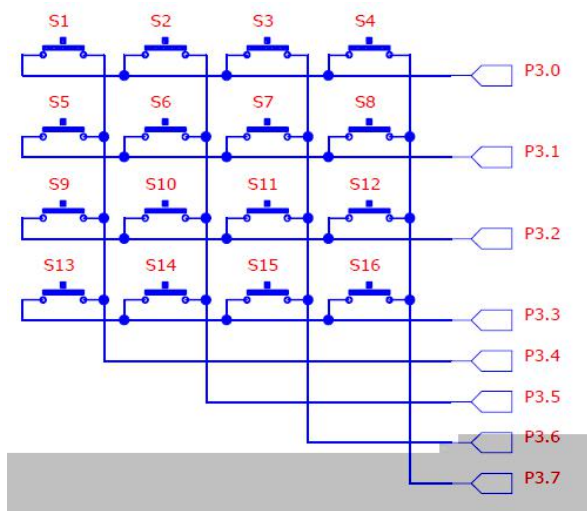
PCB
E

3

1

S1-S16

O-F



2

PCB

E

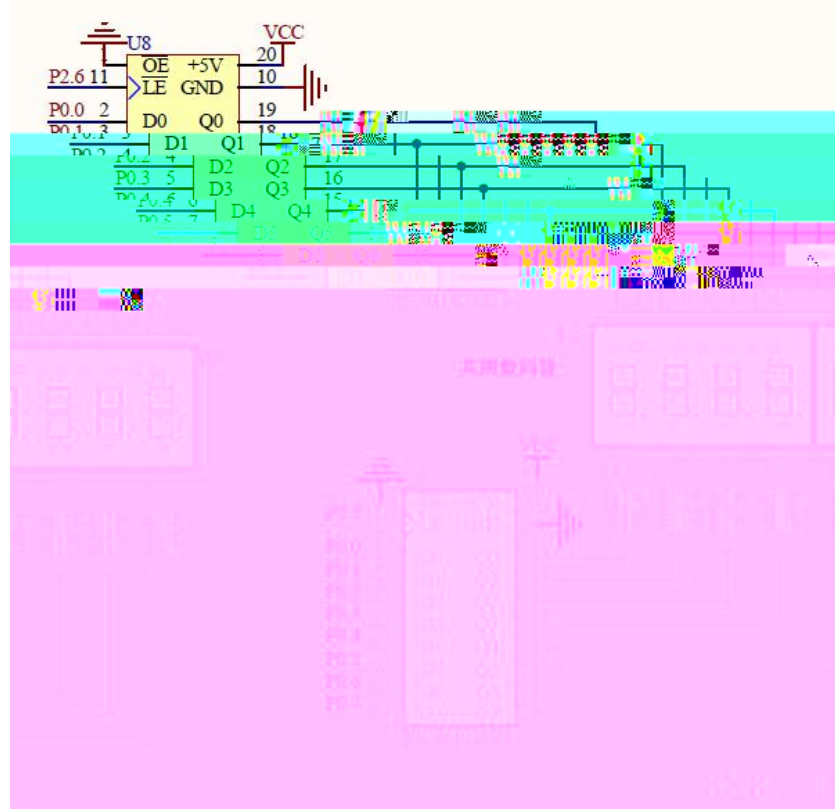
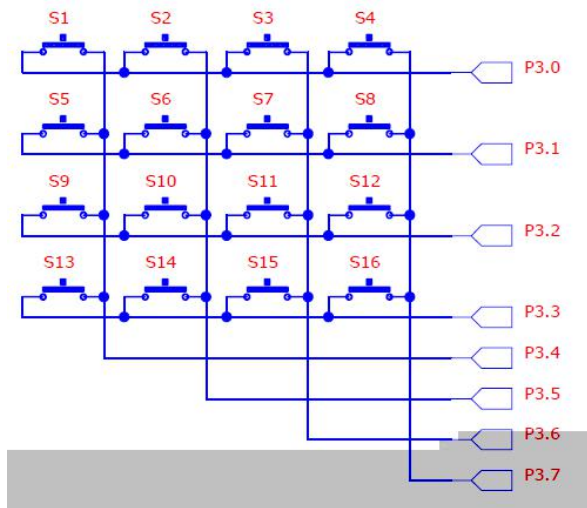
3

1

P3.2

9 0

1



2

PCB

E

3

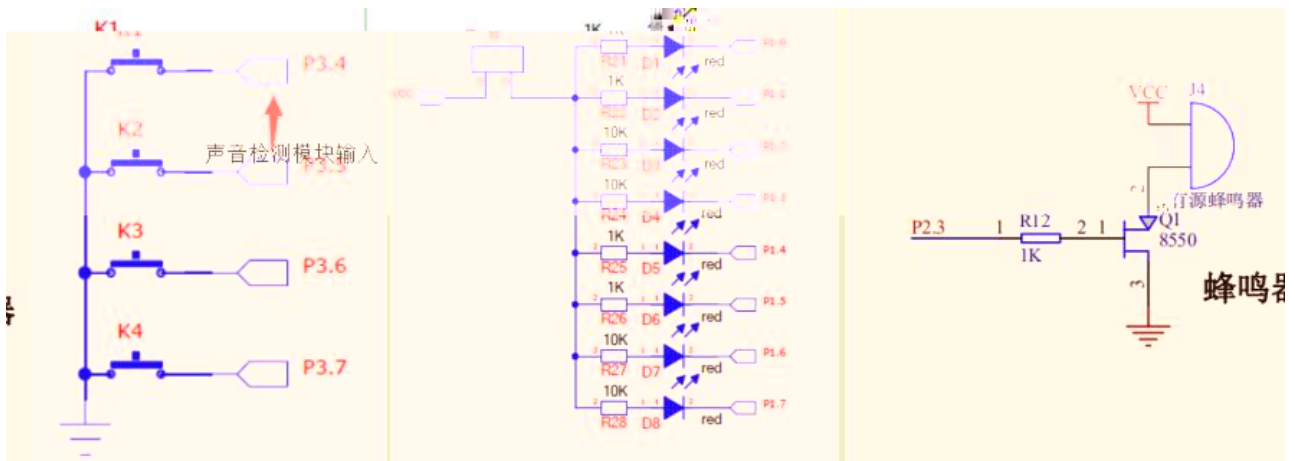
1

P3.4

1

P3.4

D1



1

2

PCB
E

3

1

P3.7

1

P3.7



1

2

PCB
E

3

1

1

K1

D1

K2

D2



1

2

PCB

E

3

1

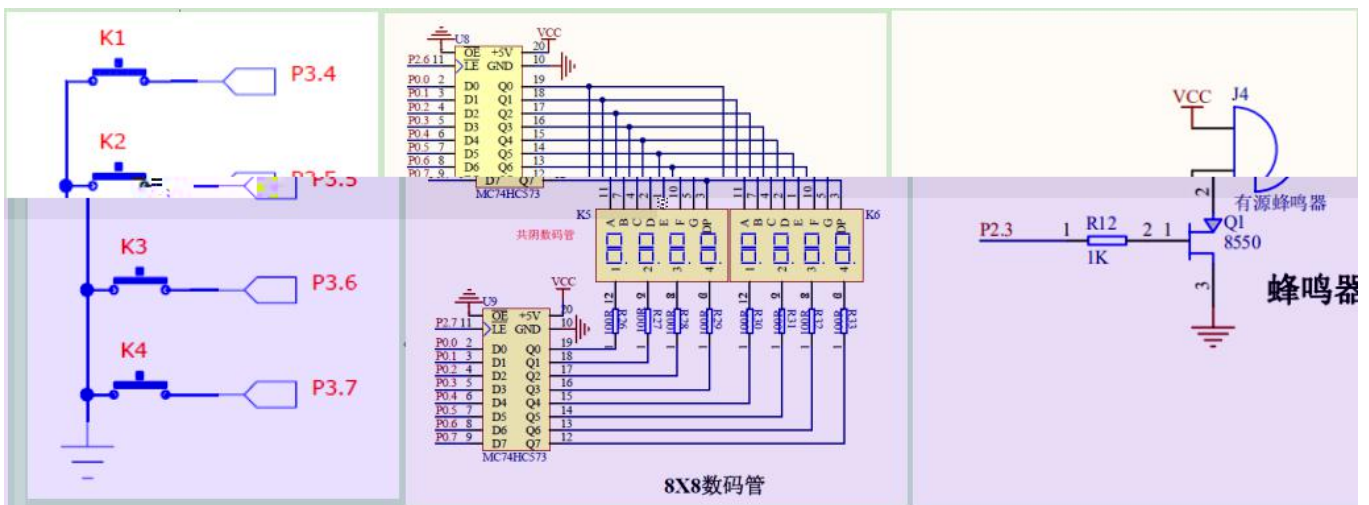
1

K1

K2 K3 K4

K1

" 1"



2

PCB

E

3

1

2



2

PCB

E

3

1

1

P3.6

P3.6



1

2

PCB

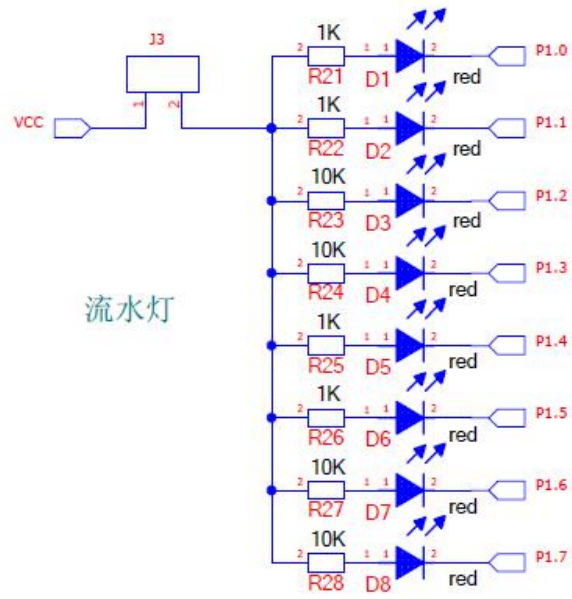
E

3

0

1

0.5S 0.5S



2

PCB

E

3

1

K1

D1-D4

K2

D5-D8



2

PCB

E

3

1

/ /

1

/ /

/ /

()

/

1 0

20		10			0
			1		
		10	2		
			3		

			4	
			5	
30		10		
		5		
		5		
		10		
50		5		
		5	1 2	PCB
		10		
		15	1 2 3	
		15		

5

18

1



2

3

1



2

3

1



2

3

1



2

3

1



2



3

1

1	VBAT	VDD	64
2	PC13/ANT1	VSS	63
3	PC14/OSC32	PB9/TIM4_CH4/SDIO_D5	62
4	PC15/OSC32	PB8/TIM4_CH3/SDIO_D4	61
5	PD0/OSCIN	PA7/OSCOUT	60
6	PD1/OSCOUT	PD7/I2C1_SCL/PA7/TIM4_CH2	59
7	NRES*	PB6/I2C1_SCL/TIM4_CH1	58
8	PC0/ADC10	PB5/I2C1_SMB/SPI3_MOSI/I2S3_SD	57
9	PC1/ADC11	PB4/JNTRST/SPI3_MISO	56
10	PC2/ADC12	PB3/JTDO/SPI3_SCK/I2S3_CK	55
11	PC3/ADC13	PC2/U5_RX/TIM3_ETR/SDIO_CMD	54
12	VSSA	PC12/U5_TX/SDIO_CK	53
13	VDDA	PC11/U4_RX/SDIO_D3	52
14	PA0/WKUP/ADC0/TIM2_CH1_ETR/TIM5_CH1/TIM8_ETR	PC10/U4_TX/SDIO_D2	51
15	PA1/ADC1/TIM2_CH3/TIM5_CH2	PA15/JTDI/SPI3_NSS/I2S3_WS	50
16	PA2/U2_TX/ADC2/TIM2_CH5/TIM5_CH3	PA14/JTCK/SWCLK	49
17	PA3/U2_RX/ADC3/TIM2_CH4/TIM5_CH4	VDD	48
18	VSS	VSS	47
19	VDD	PA13/JTMS/SWCLK	46
20	PA16/P1_NMI/AD11_DAC1	PA12/U6_TX/SSOP_TSMI_ETR	45
21	PA17/P1_ADR/AD11_DAC2	PA11/DMB_R/USBOTPHUB_HUB	44
22	PA18/P1_MSW/ADC11/TIM1_CH1/TIM8_BKIN	PA10/U1_RX/TIM1_CK	43
23	PA19/P1_MSW/ADC11/TIM1_CH2/TIM8_CHN	PA9/U1_TX/TIM1_CH2	42
24	PC4/AD14	PA8/TIM1_CH1/MC0	41
25	PC5/AD15	PA7/TIM1_CH2/SDIO_CK	40
26	PB0/ADC9/TIM9_CH1/TIM9_CH2N	PA6/TIM9_CK/SDIO_CK	39
27	PE1/ADC8/TIM9_CH1/TIM9_CH2N	PA5/I2S2_MCK/TIM9_CK/SDIO_CK	38
28	PE2/ADC7/T1	PA4/I2S2_MCK/TIM9_CK/SDIO_CK	37
29	PE3/U3_TX/OSC2_OUT	PA3/I2S2_MCK/TIM9_CK/SDIO_CK	36
30	PE4/U3_RX/OSC2_IN/A	PA2/I2S2_MCK/TIM9_CK/SDIO_CK	35
31	VSS	PA1/I2S2_MCK/TIM9_CK/SDIO_CK	34
32	VDD	PA0/I2S2_MCK/TIM9_CK/SDIO_CK	33

2

3

1



2

3

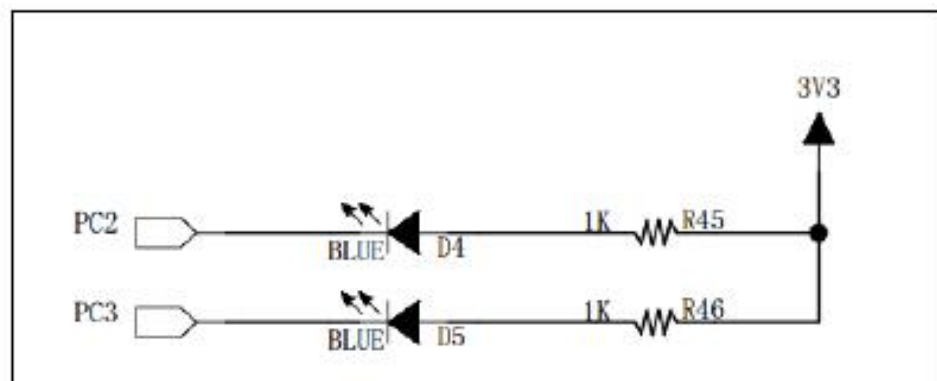
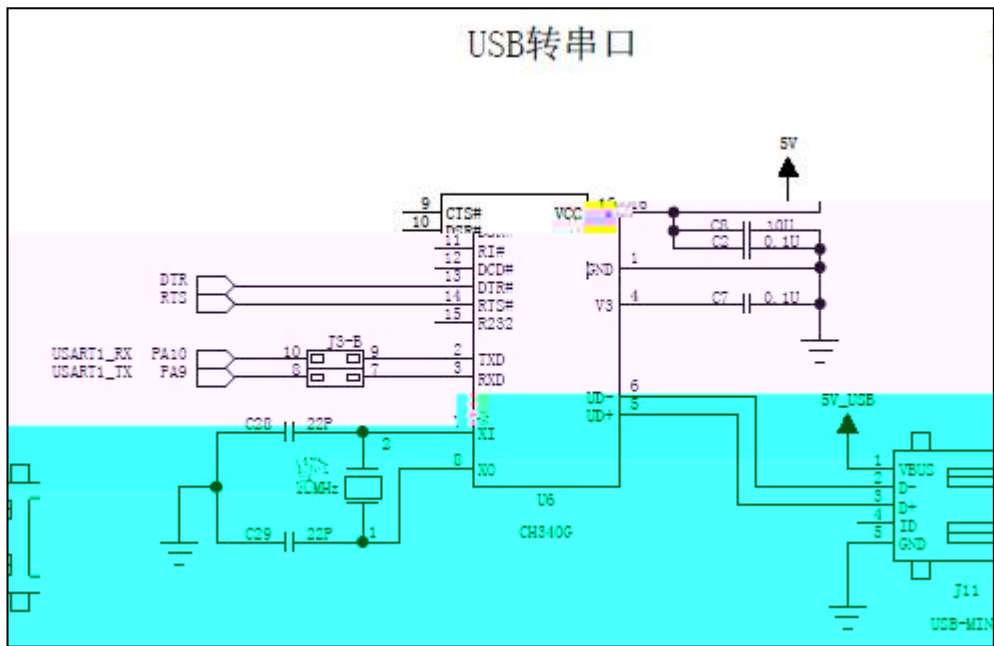
1

1	VBAT	VDD	64
2	PC13/ANT1	VSS	63
3	PC14/OSC32	PB9/TIM4_CH4/SDIO_D5	62
4	PC15/OSC32	PB8/TIM4_CH3/SDIO_D4	61
5	PD0/OSCIN	DD1/OSCOUT	60
6	DD1/OSCOUT	DD7/I2C1_SDA	59
7	NRS	DD7/I2C1_SCL	58
8	PC0/ADC10	PB6/I2C1_SCL	57
9	PC1/ADC11	PB5/I2C1_SMBA	56
10	PC2/ADC12	PB4/JNTRST/SPI3_MISO	55
11	PC3/ADC13	PB3/JTDO/SPI3_SCK/I2S3_CK	54
12	VSSA	PC2/U5_RX/TIM3_ETR/SDIO_CMD	53
13	VDDA	PC12/U5_TX/SDIO_CK	52
14	PA0/WKUP/ADC0-TIM2_CH1_ETR/TIM5_CH1/TIM8_ETR	PC11/U4_RX/SDIO_D3	51
15	PA1/ADC1-TIM2_CH2-TIM5_CH2	PC10/U4_TX/SDIO_D2	50
16	PA2/U2_TX/ADC2-TIM2_CH3-TIM5_CH3	PA15/JTDI/SPI3_NSS/I2S3_WS	49
17	PA3/U2_RX/ADC3-TIM2_CH4-TIM5_CH4	PA14/JTCK/SWCLK	48
18	PA4	VDD	47
19	PA5	VSS	46
20	PA6	PA13/TIM5_SWCLK	45
21	PA7	PA12/CAN_RX/USDP1_TST_ETR	44
22	PA8	PA11/CAN_RX/USDP1_TST_CK	43
23	PA9	PA10/U1_RX/TIM1_CH4	42
24	PA10	PA9/U1_TX/TIM1_CH2	41
25	PA11	PA8/TIM1_OUT/MCO	40
26	PA12	PA7/TIM1_CH3/CKI1	39
27	PA13	PA6/TIM1_CH3/CKI2	38
28	PA14	PA5/TIM1_CH3/CKI3	37
29	PA15	PA4/TIM1_CH3/CKI4	36
30	PA16	PA3/TIM1_CH3/CKI5	35
31	PA17	PA2/TIM1_CH3/CKI6	34
32	PA18	PA1/TIM1_CH3/CKI7	33
33	PA19	PA0/TIM1_CH3/CKI8	32
34	PA20	PA19/SPI2_NSS/I2S2_WS/USDP1_TST_BW	31

2

3

1

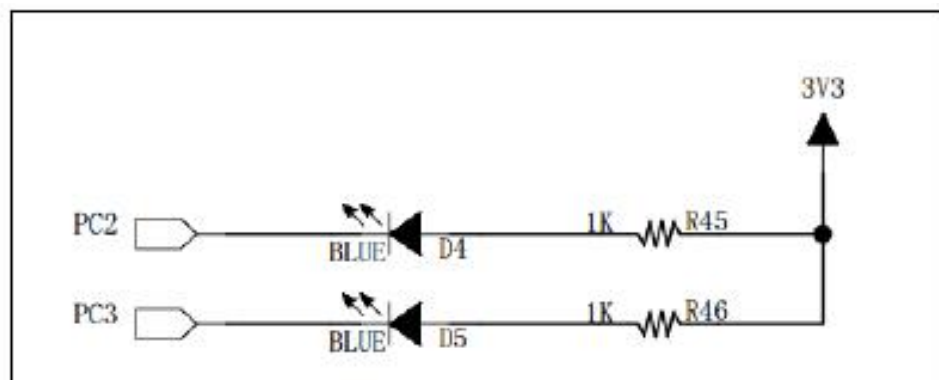
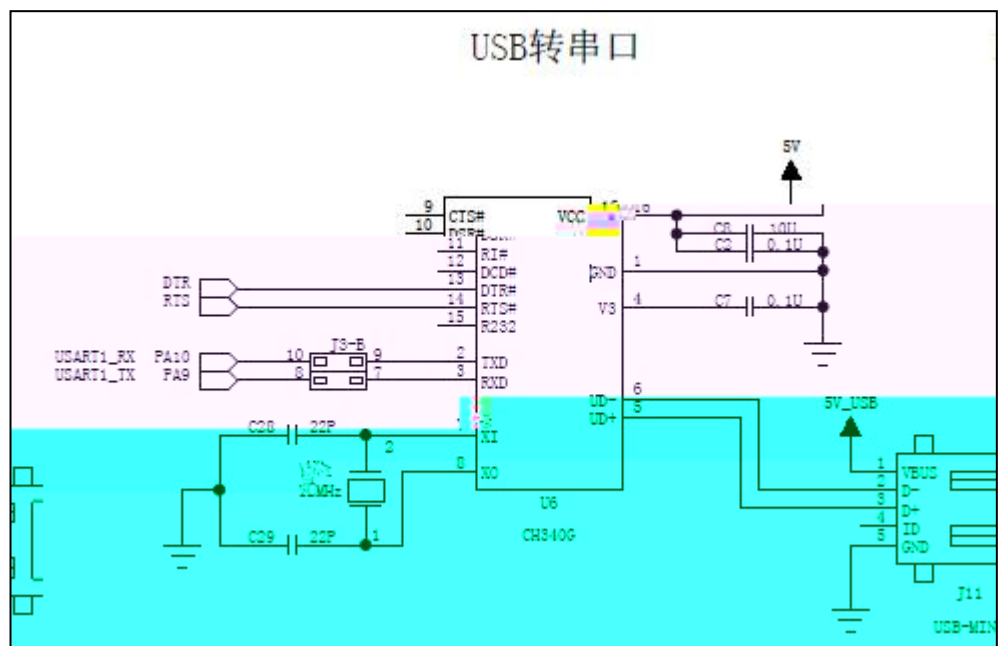


2

3

-

1



2

3

-

1

2

5

1

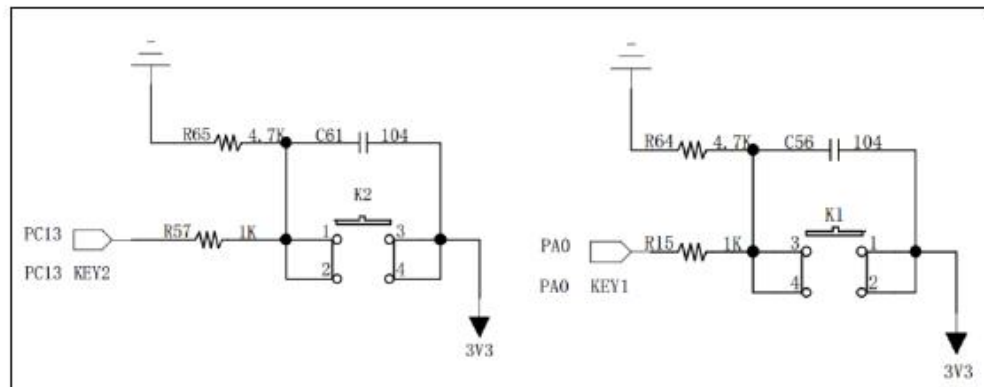
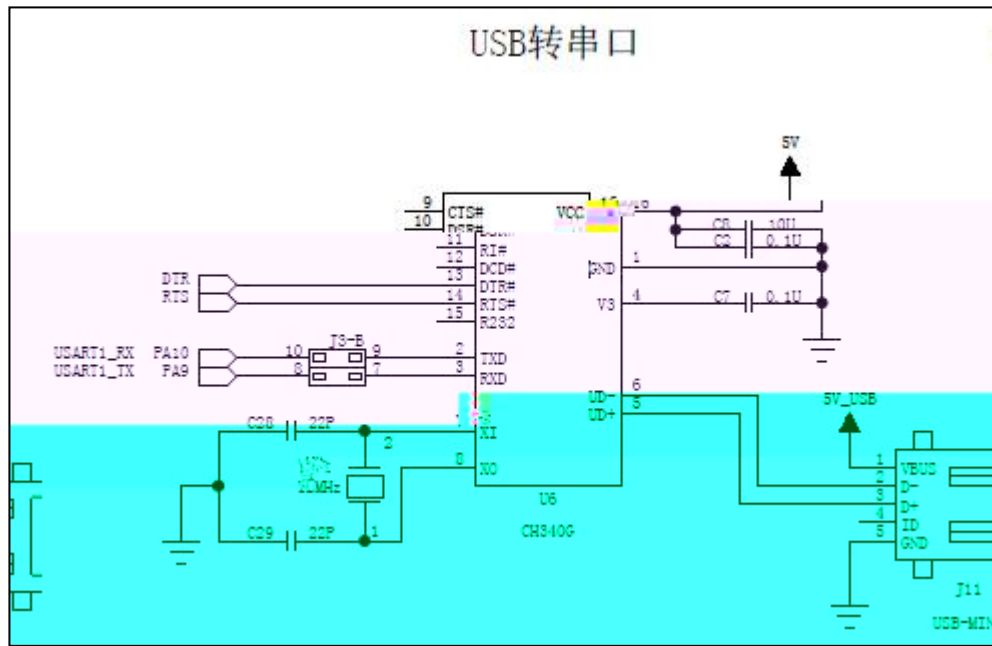


2

3

-

1

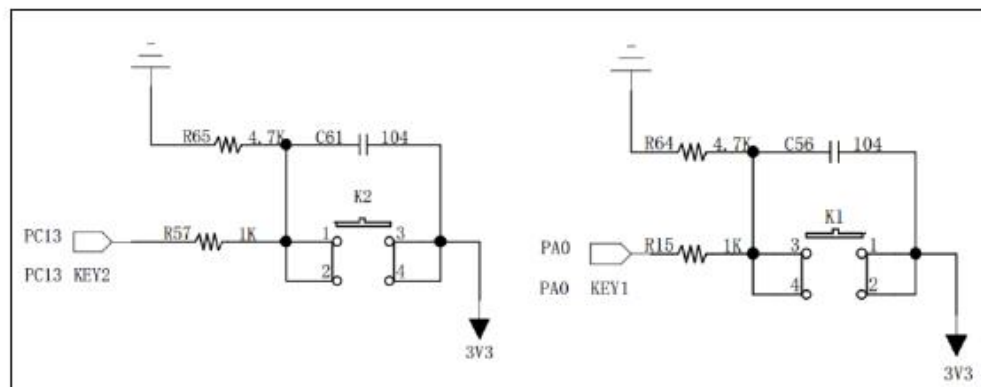
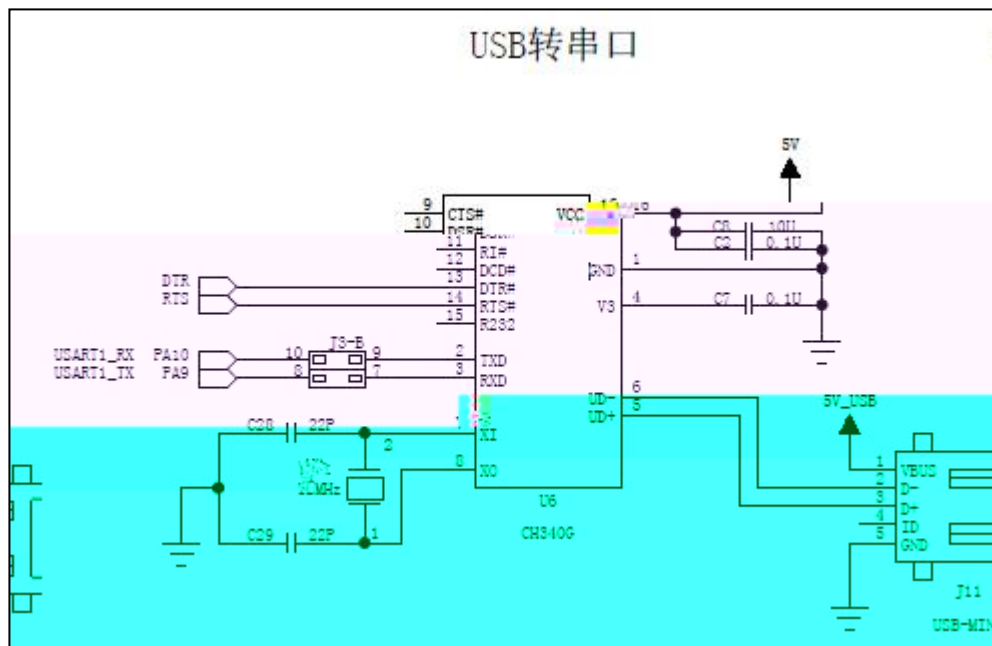


2

3

-

1



2

3

-



2

3

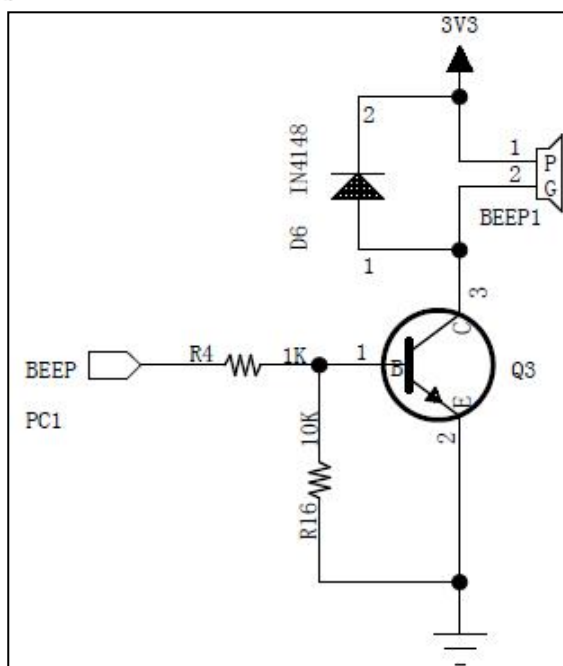
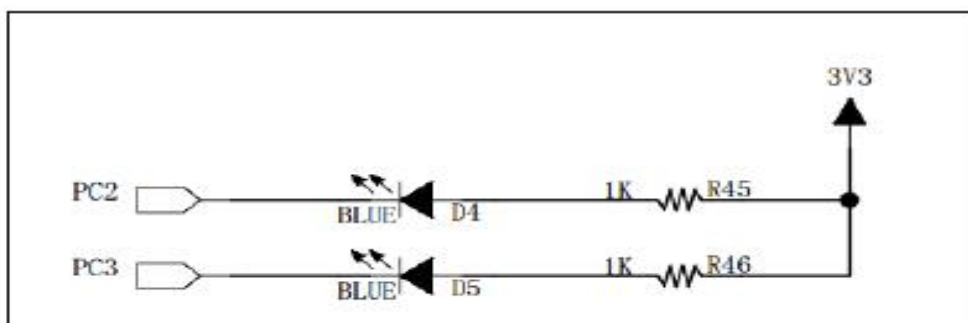
-

1



2

3

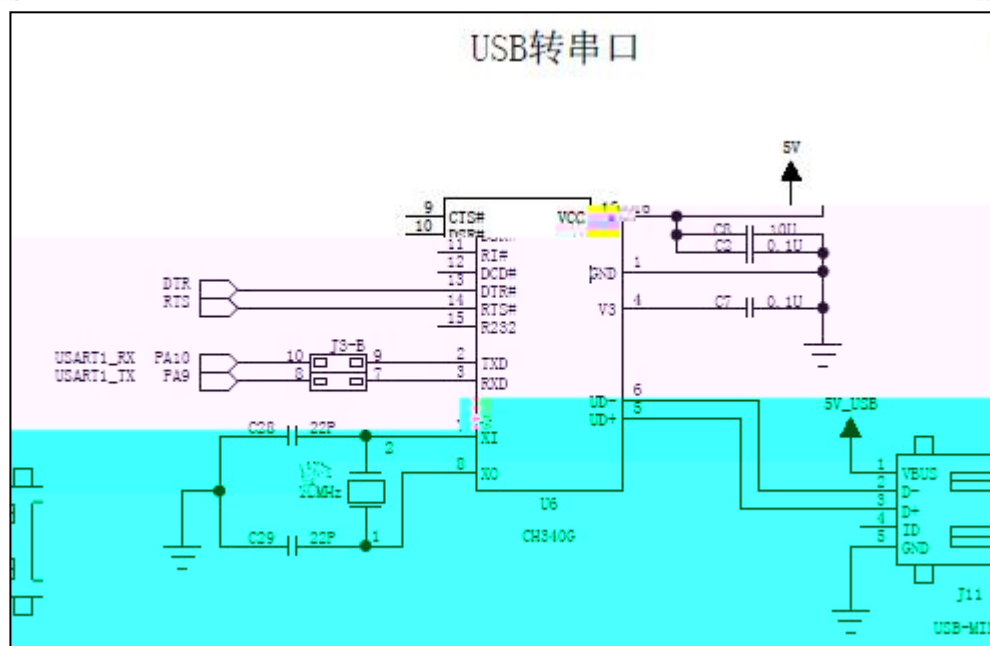
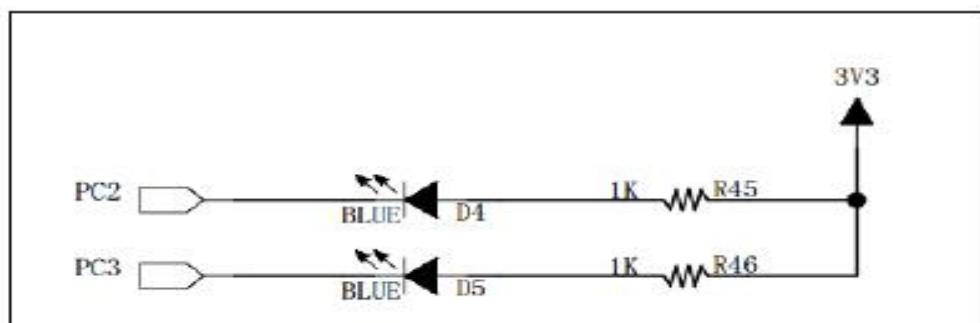


2

3

-

1



2

3

-

1

1

/ /

.0

/ /

()

/

1 0

20		10			0	
			6			
			7			
		10	8			
			9			

			10	
30				
		10		
		10		
50				
		10		

5

18

1
2

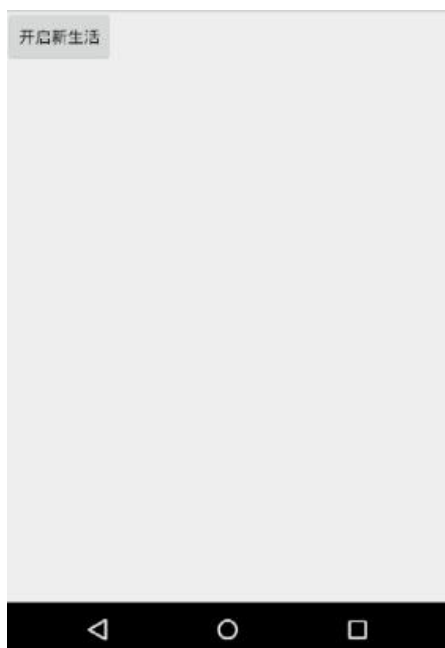
20sp

RGB #FF0000



2

1

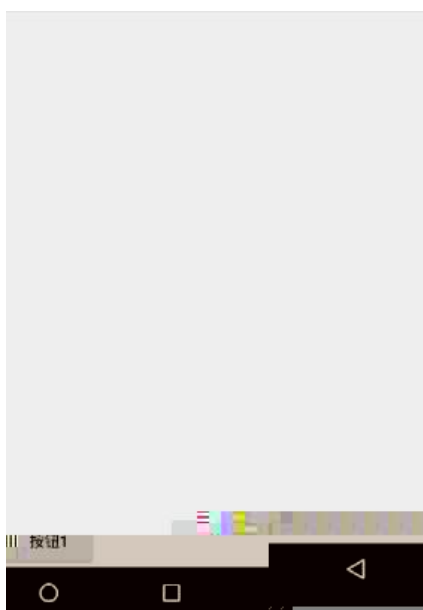


1

2

1

2



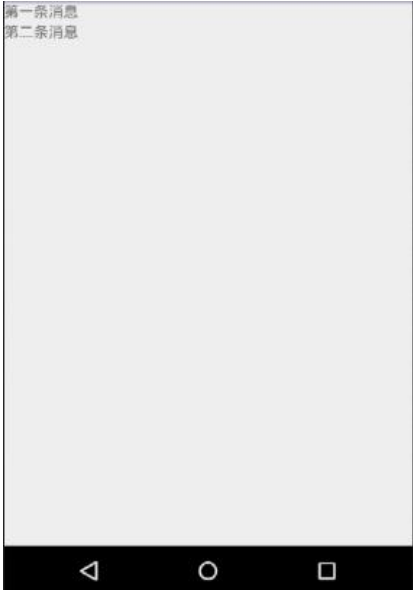
3

:

TextView

2

1



1

2



2

1

2



1

1 1 1 1

2

1

2

1 1 1 1



1

2

1



1

2

1

2



1

2

1

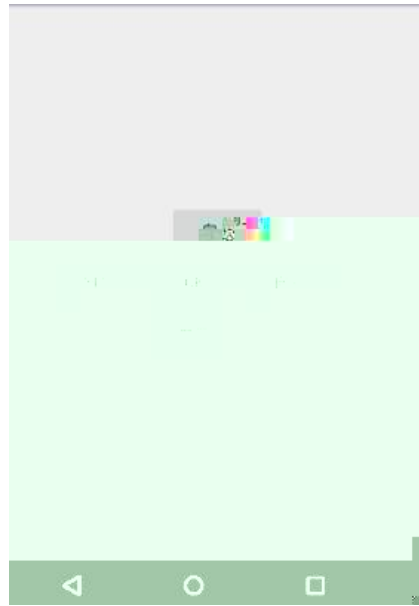
2



1

2

1



1

LED

2

1

2

3

TextView LED



1

LED

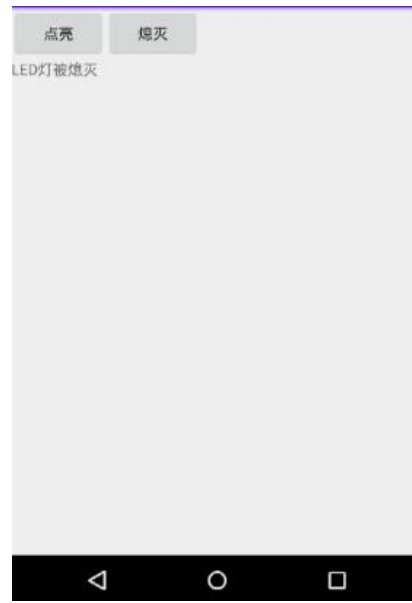
2

1

2

3

TextView LED



1

LED

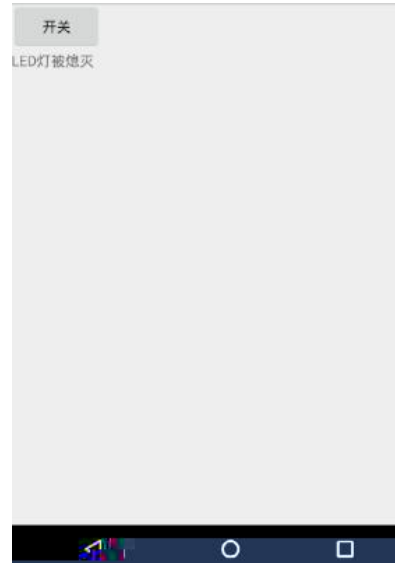
2

1

2

3

TextView LED



1

LED

2

1

2

3

4

TextVi ew



1

LED

2

1

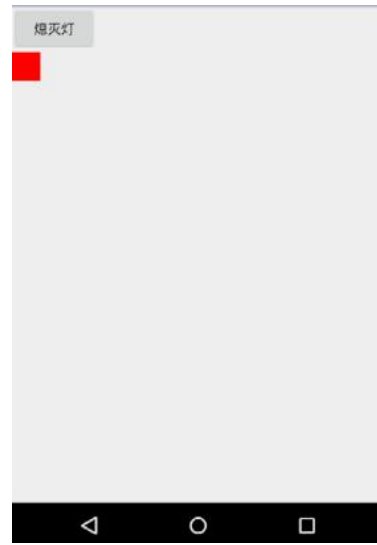
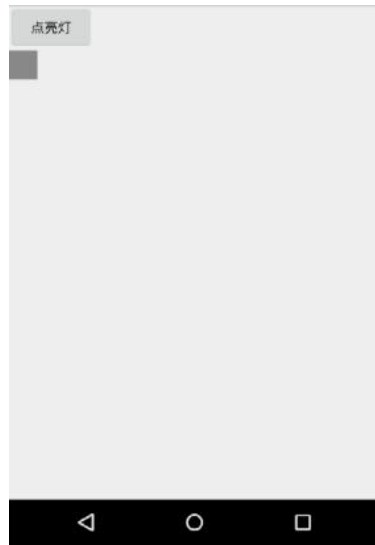
2

3

4

ImageView

30dp*30dp



1

2

1

2



1

2

1

2

